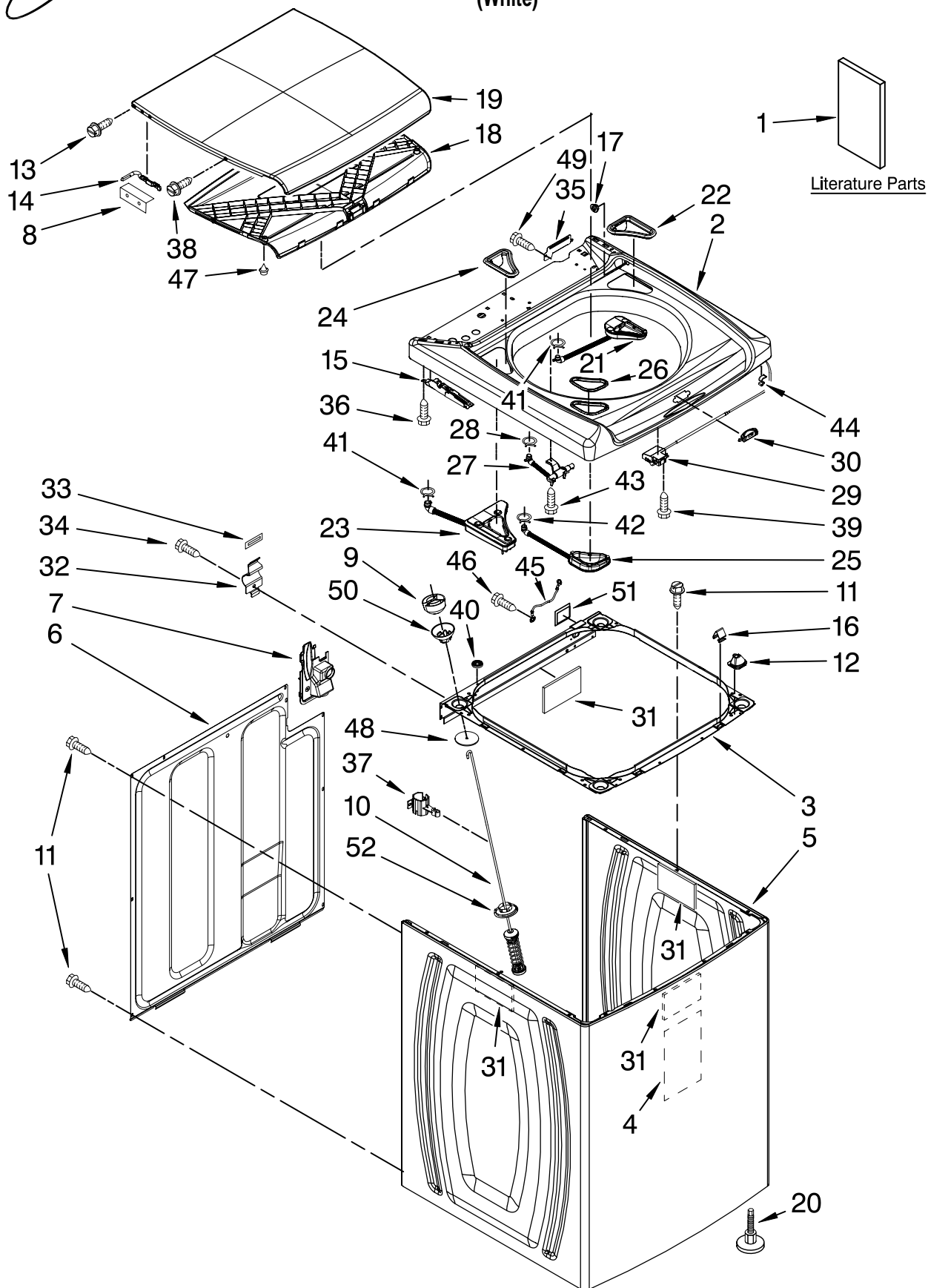




# TOP AND CABINET PARTS

AUTOMATIC WASHER

For Model: WTW6400SW3  
(White)



FOR ORDERING INFORMATION REFER TO PARTS PRICE LIST

# TOP AND CABINET PARTS

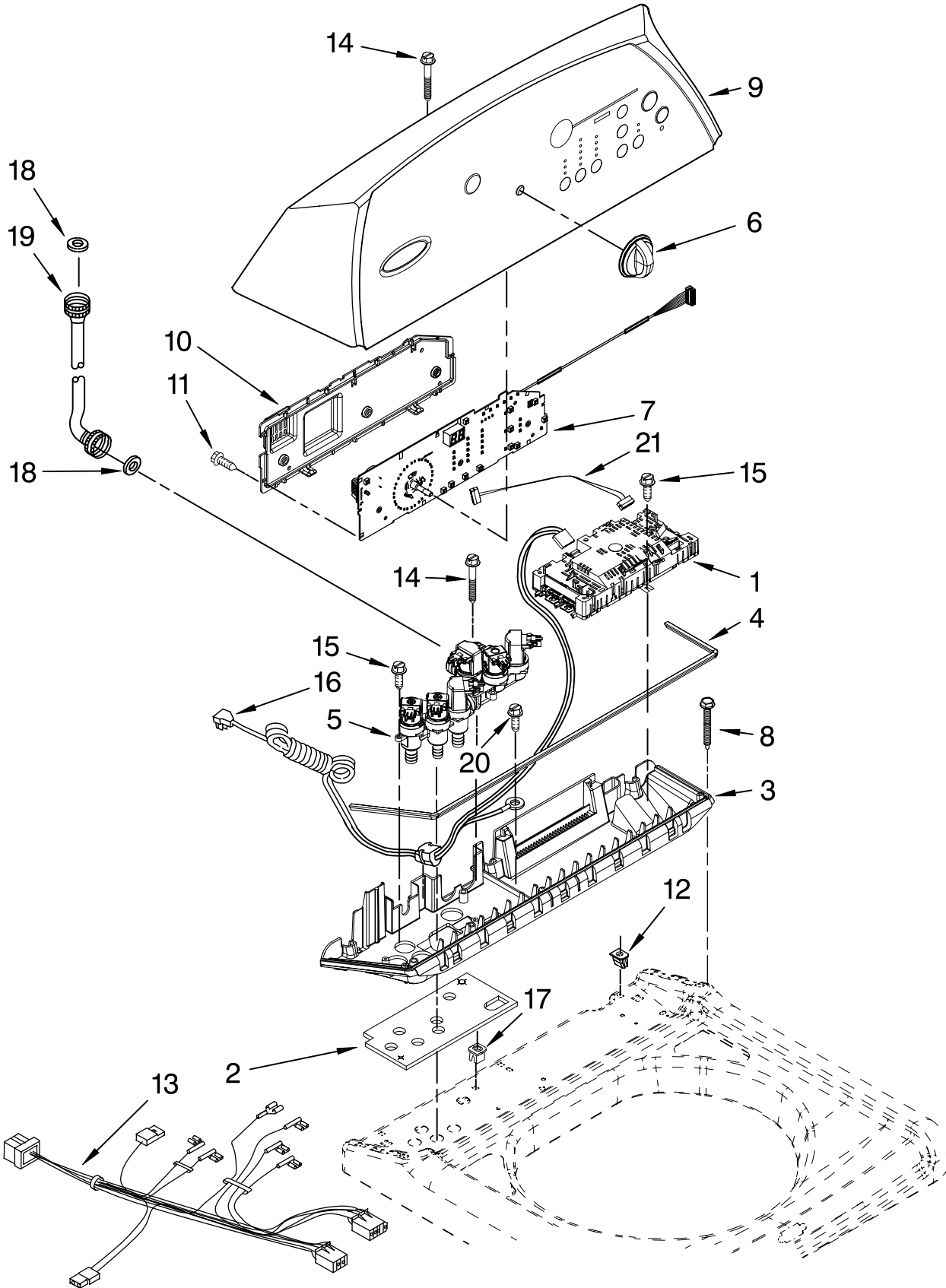
For Model: WTW6400SW3  
(White)

Illus. No.	Part No.	DESCRIPTION	Illus. No.	Part No.	DESCRIPTION	Illus. No.	Part No.	DESCRIPTION
1		Literature Parts	14	8576780	Hinge Arm, Lid (2)	30	8572019	Bezel, Lid Lock
	W10113000	Use & Care Guide	15		Hinge, Spring Assembly	31	8564458	Absorber, Impact
	W10026571	Tech Sheet		8563962	(Left)	32	8564456	Hinge, Top (2)
	W10106480	Quick Start Guide		8563963	(Right)	33	18849	Pad, Top Hinge (2)
	8577781	Wiring Diagram	16	8563785	Lock, Top-Front (2)	34	343641	Screw, 10-16 x 1/2 (2)
	W10165664	Energy Guide				35	8563941	Cover, Harness
2	8565314	Top	17	W10052730	Bearing, Lid Hinge (2)	36	693995	Screw, 8-18 x 3/8
3	W10162416	Frame Assembly, Cabinet Top (Includes Items 31 & 51)	18	8577353	Lid-Inner (Includes Item 47)	37	8543784	Bracket, Drain Hose
4	8576784	Sound Absorber, Cabinet	19	8572891	Lid	38	W10076920	Screw (2)
5	8566156	Cabinet	20	8578826	Foot Assembly, Leveling (4)	39	8281136	Screw, 10-16 x 3/4
6	8566090	Panel, Rear	21	W10059150	Dispenser, Fabric Softener	40	8576476	Spacer, Rear (Cabinet/Top)
7	W10160572	Retainer, Drain Hose Storage	22	8566210	Bezel, Fabric Softener Dispenser	41	370451	Clamp, Hose
8	21097	Pad, Lid Hinge (2)	23	W10161865	Dispenser, Stain Remover	42	371503	Clamp, Hose
9	W10111536	Ball, Suspension (Set Of 4 - Includes Item 50)	24	8566211	Bezel, Stain Remover Dispenser	43	3400061	Screw, 10-16 x 9/16
10	8566146	Damper Assembly, Tub Suspension (Set Of 4-Includes Items 9, 48, 50 & 52)	25	8564976	Dispenser, Detergent	44	90016	Clip, Harness (5)
11	1157158	Screw, 8-18 x 3/8	26	8564979	Bezel, Detergent Dispenser	45	8281736	Wire, Ground Jumper
12	W10042120	Locator, Top (2)	27	W10106990	Nozzle Assembly, Fresh Water	46	3400076	Screw, 10-32 x 5/8
13	W10119828	Screw, Lid Hinge Mounting (4)	28	371503	Clamp, Hose	47	W10076780	Bumper, Lid (2)
			29	W10059230	Lock Assembly, Lid	48	8577896	Washer, Suspension Umbrella (4)
						49	3390647	Screw, 8-18 x 1/2
						50	W10167599	Bushing, Suspension (Set Of 4-Includes Item 9)
						51	8578386	Shield, Wire Harness
						52	8564017	Cup, Suspension (4)

FOR ORDERING INFORMATION REFER TO PARTS PRICE LIST

# CONTROL PANEL PARTS

For Model: WTW6400SW3  
(White)



FOR ORDERING INFORMATION REFER TO PARTS PRICE LIST

# CONTROL PANEL PARTS

For Model: WTW6400SW3  
(White)

<b>Illus. No.</b>	<b>Part No.</b>	<b>DESCRIPTION</b>
1	W10155109	Control Unit Assembly, Machine & Motor
2	W10130502	Gasket, Valve Tray
3	8565304	Tray Assembly, Console (Includes Items 2 & 4)
4	8565259	Gasket, Console/Tray
5	W10128457	Valve, Log Assembly
6	8574957	Knob, Control
7	8564291	User Interface
8	W10004990	Screw, 6-20 x 1.2
9	W10070050	Console
10	8564265	Cover, Rear- User Interface
11	W10003770	Screw, 6-19 x 1/2 (3)
12	W10022060	Nut, Push-In (3)
13	W10128687	Harness, Upper (Includes Item 21)
14	8565324	Screw, 10-16 x 1.75
15	8281136	Screw, 8-18 x 3/4
16	3407203	Cord Assembly, Power
17	98460	Nut, Push-In (2)
18	3976300	Washer, Water Inlet Hose (1-1/16 x 5/8)(4)
19		Hose, Water Inlet
	8571377	Blue Coupler
	8571378	Red Coupler
20	3351614	Screw, Power Cord Ground
21	3407187	Harness, Thermistor

FOR ORDERING INFORMATION REFER TO PARTS PRICE LIST



# MOTOR, BASKET AND TUB PARTS

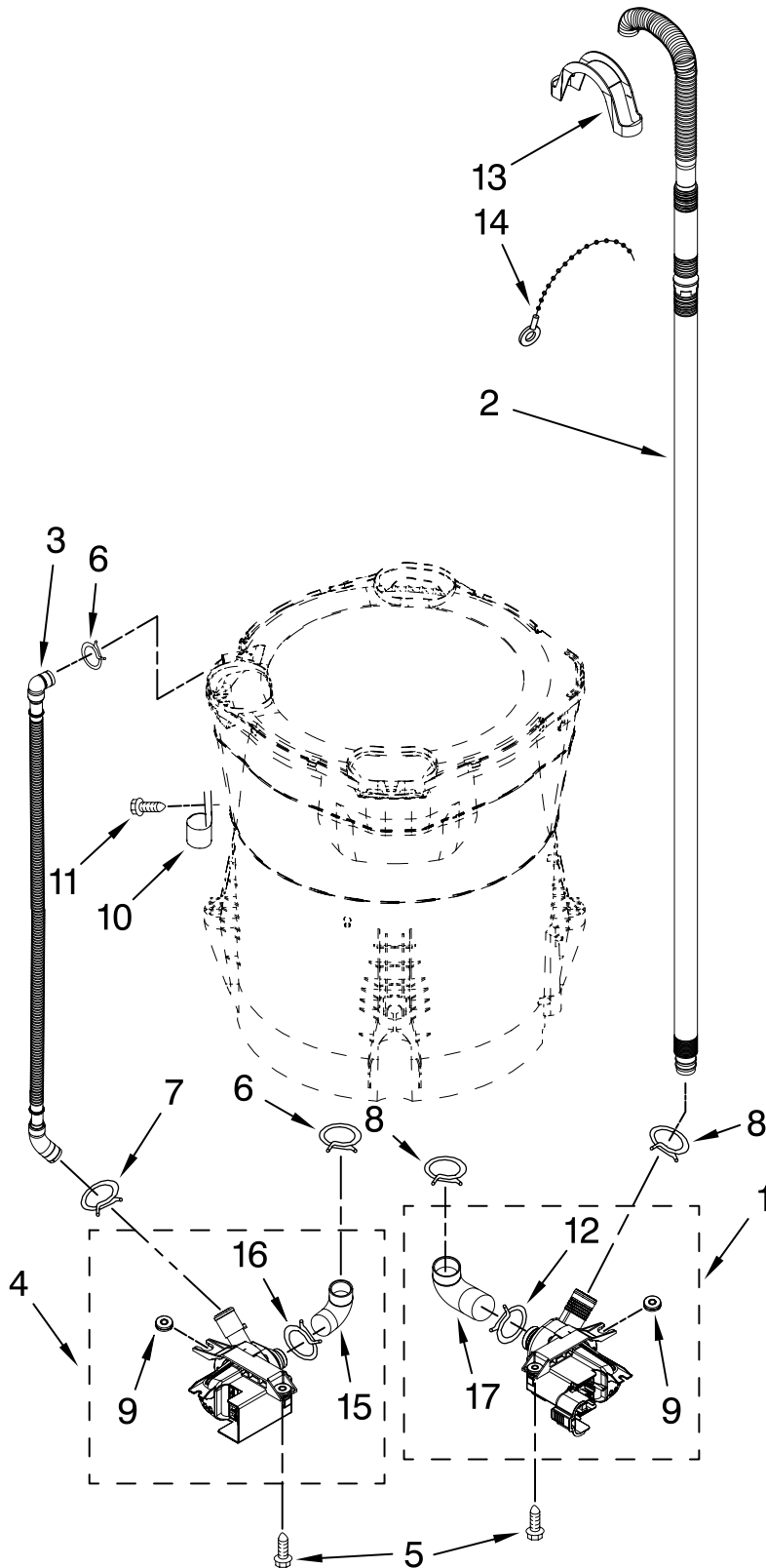
For Model: WTW6400SW3  
(White)

<u>Illus.</u>	<u>Part</u>	
<u>No.</u>	<u>No.</u>	<u>DESCRIPTION</u>
1	W10106600	Cap, Impeller
2	W10076270	Screw & Washer Assembly
3	W10076260	Washer
4	W10130807	Tub Ring
5	8572540	Hose Pressure Switch
6	W10141017	Impeller (Washplate)
7	8533953	Screw, 8-16 x 1.000 (6)
8	W10118114	Hub, Basket-Driven (Includes Item 9)
9	8545953	Hub, Basket-Driver (Includes Item 8)
10	W10118182	Basket Assembly (Includes Items 7, 8, & 9)
11	8572660	Tub & Drive Shaft Assembly
13	W10005430	Clamp, Pressure Hose Retainer
14	8533957	Screw, 10-16 x 1/2
15	W10137698	Shield, Drive Motor (Includes Item 16)
16	8565172	Tube, Buffer (Set Of 4)
17	8565170	Stator, Motor (Includes Item 18)
18	8557836	Plate, Stator (Set Of 2)
19	8534042	Screw, 1/4-20 x .968 (4)
20	W10137685	RPS Assembly
21	8565177	Rotor, Main Drive Motor (Includes Item 22)
22		Bolt, Rotor Assembly Non-Serviceable (Supplied W/Rotor)
23	W10137697	Harness, Lower (Includes Item 5)
24	8566197	Filter, Dual Pump Hood
25	8533928	Screw, 8-18 x 3/4 (2)

FOR ORDERING INFORMATION REFER TO PARTS PRICE LIST

# PUMP PARTS

For Model: WTW6400SW3  
(White)



Illus. No.	Part No.	DESCRIPTION
1	W10049390	Pump Assembly, Drain
2	W10128765	Hose, Drain
3	8543774	Hose, Recirc
4	W10049400	Pump Assembly, Recirc
5	W10004910	Screw, 12-16 x 1.125
6	370449	Clamp, Hose
7	8269146	Clamp, Hose
8	8317496	Clamp, Hose
9	8182771	Grommet, Pump Mounting (4)
10	8534021	Clamp, Recirc Hose Retainer
11	8533943	Screw, 10-16 x 3/4
12	8182768	Clamp, Drain Pump Hose
13	8576642	Retainer, Drain Hose
14	3347868	Cable Tie
15	8182769	Hose, Recirc Pump
16	8182770	Clamp, Recirc Pump Hose
17	8182767	Hose, Drain Pump

FOR ORDERING INFORMATION REFER TO PARTS PRICE LIST

# OPTIONAL PARTS (NOT INCLUDED)

For Model: WTW6400SW3  
(White)

<b>Illus. No.</b>	<b>Part No.</b>	<b>DESCRIPTION</b>
-----------------------	---------------------	--------------------

## PAINT, TOUCH-UP (1/2oz.)

72017 White

## PAINT, PRESSURIZED SPRAY (12 oz.)

350938 Primer, Gray  
350930 White

## PAINT, BULK (1 qt.)

799344 White (Uncut)

## WATER SYSTEM PARTS

285442 Connector Kit,  
Plastic Drain  
Hose  
285321 Sleeve Kit,  
(Contains 2  
Sleeves)  
285320 Siphon Break Kit  
367031 Drain Protector

## SEALER

285195 Sealer, Gasket  
(.20 Fl. Oz.) (6 ml)

## COUPLING

384496 Coupling, Hose